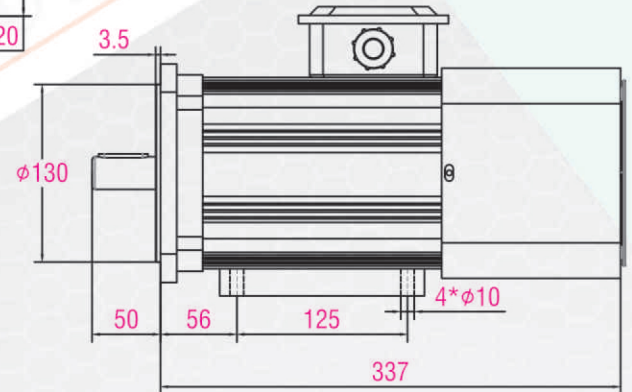
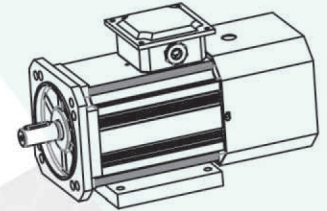
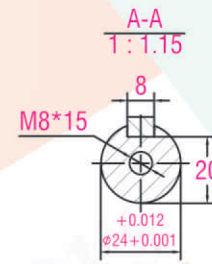
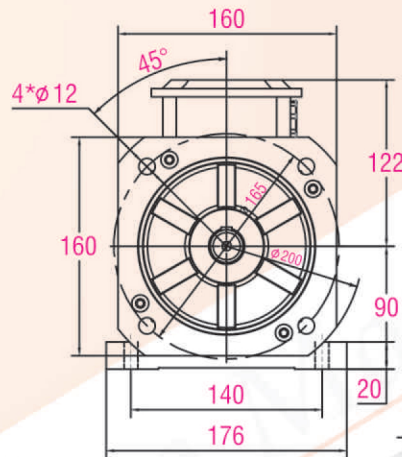
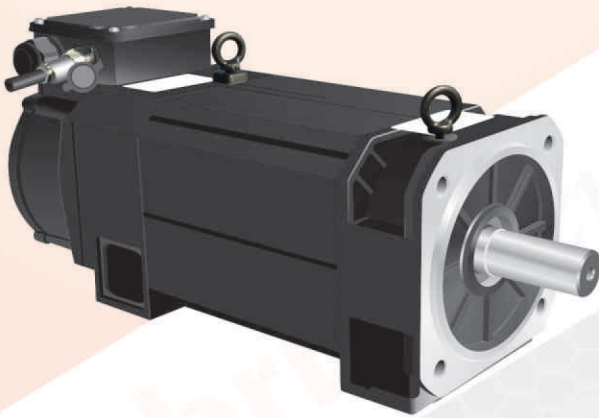




GL-B-15-1500

GABRIEL SERVO MOTOR



| | | | |
|--------------------|--------------------------|----------------------|---------|
| RATED POWER | 1.5 Kw | STATOR RESISANCE | |
| RATED VOLTS | 380 V | STATOR REACTANCE | |
| MODE OF CONNECTION | Y | ROTOR RESISANCE | |
| RATED FREQUENCY | 50 Hz | ROTOR REACTANCE | |
| RATED CURRENT | 3.8 A | EXCITATION REACTANCE | |
| RATED TORQUE | 9.8 Nm | EXCITING REACTANCE | |
| REFERENCE SPEED | 1460 r/min | INSULATION GRADE | F |
| MAX SPEED | 6000 r/min | LEVEL OF PROTECTION | IP : 54 |
| MOMENT OF INERTIA | 0.0041 kg/m ² | SERIES | 4 P |
| RATING | S1-%100 | WEIGHT | 17 Kgs. |
| COOLING FAN | RATED POWER | 40 W | |
| | RATED VOLTS | 380V 50/60Hz | |
| ENCODER | IMPULSES PER MINUTE | 1024 PPR | |
| | OUTPUT MODE | HTL | |
| BRAKE RIGGING | NAME | | |
| | THE DATA PARAMETER | | |

