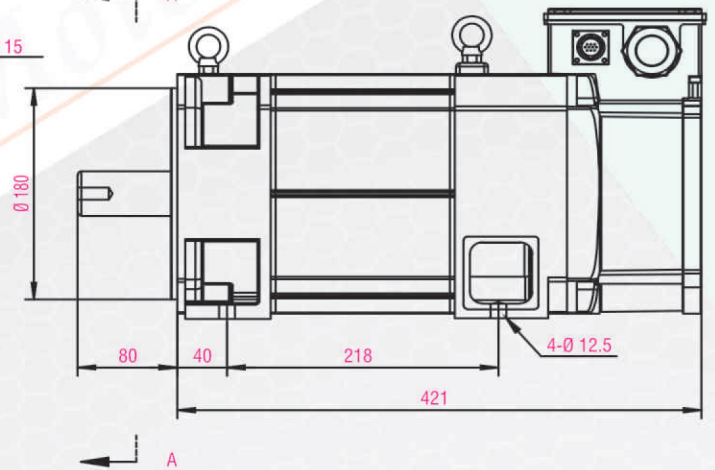
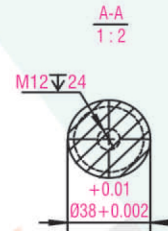
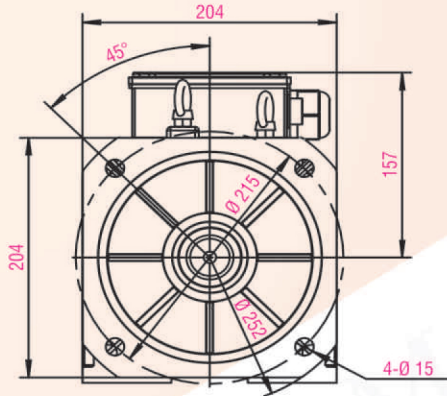
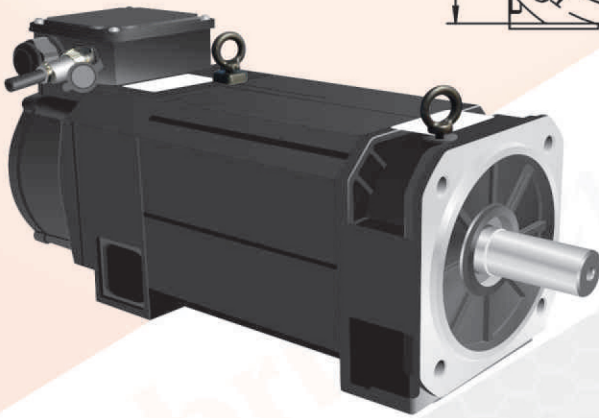




# GL-B-75-2000

## GABRIEL SERVO MOTOR



RATED POWER	7.5 Kw	STATOR RESISANCE	
RATED VOLTS	380 V	STATOR REACTANCE	
MODE OF CONNECTION	Y	ROTOR RESISANCE	
RATED FREQUENCY	66.7 Hz	ROTOR REACTANCE	
RATED CURRENT	14.4 A	EXCITATION REACTANCE	
RATED TORQUE	39.2 Nm	EXCITING REACTANCE	
REFERENCE SPEED	2000 r/min	INSULATION GRADE	F
MAX SPEED	10000 r/min	LEVEL OF PROTECTION	IP : 54
MOMENT OF INERTIA	0.023 kg/m <sup>2</sup>	SERIES	4 P
RATING	S1-%100	WEIGHT	45 Kgs.
COOLING FAN	RATED POWER	34 W	
	RATED VOLTS	220-240V 50/60Hz	
ENCODER	IMPULSES PER MINUTE	1024 PPR	
	OUTPUT MODE	HTL	
BRAKE RIGGING	NAME		
	THE DATA PARAMETER		

