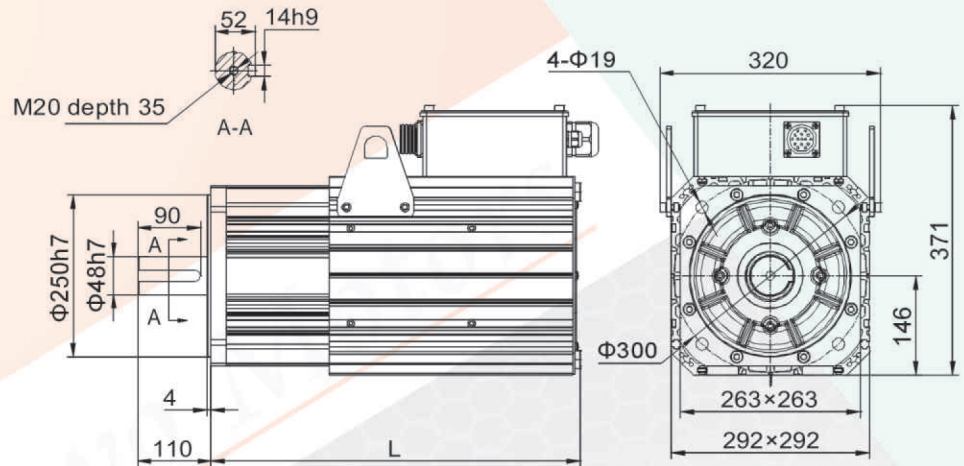




# GL-A-MH26-037B-4

## P.M. A.C. SERVO MOTOR



Motor model (2500-PPR/multi-turn absolute value/rotary transformer)	L(mm)
	W/o brake
GL-A-MH26-037B-4-□A□	537

RATED POWER	37 Kw	STATOR RESISIANCE	NOT AVAILABLE
RATED VOLTS	380 V	STATOR REACTANCE	NOT AVAILABLE
MODE OF CONNECTION	Y	ROTOR RESISIANCE	NOT AVAILABLE
RATED FREQUENCY		ROTOR REACTANCE	NOT AVAILABLE
RATED CURRENT	74.6 A	EXCITATION REACTANCE	NOT AVAILABLE
RATED TORQUE	187 Nm	EXCITING REACTANCE	NOT AVAILABLE
REFERENCE SPEED	1800 r/min	INSULATION GRADE	F
MAX SPEED	2300 r/min	LEVEL OF PROTECTION	IP : 54
MOMENT OF INERTIA	380 kg/cm <sup>2</sup>	SERIES	4 P
RATING		WEIGHT	115 Kg
COOLING FAN	RATED POWER RATED VOLTS		
ENCODER	IMPULSES PER MINUTE OUTPUT MODE	2500 TTL/HTL	
BRAKE RIGGING	NAME THE DATA PARAMETER	ELECTROMAGNETIC	