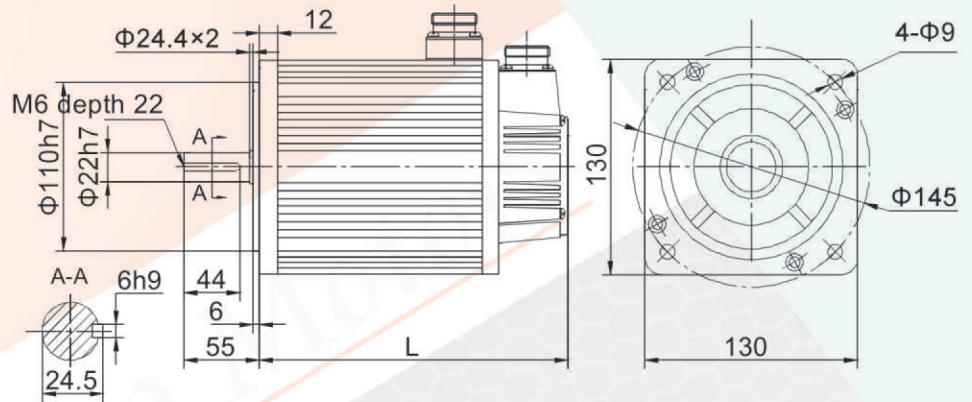




# GL-A-MM13-1R0E

## P.M. A.C. SERVO MOTOR



Motor model (2500-PPR/multi-turn absolute value/rotary transformer)	L(mm)		
	W/o brake	Permanent magnet brake	Electromagnetic brake
GL-A-MM13-1R0E-□-□A□	143	185	185

RATED POWER	1 Kw	STATOR RESISIANCE	NOT AVAILABLE
RATED VOLTS	380 V	STATOR REACTANCE	NOT AVAILABLE
MODE OF CONNECTION	Y	ROTOR RESISIANCE	NOT AVAILABLE
RATED FREQUENCY		ROTOR REACTANCE	NOT AVAILABLE
RATED CURRENT	2.8 A	EXCITATION REACTANCE	NOT AVAILABLE
RATED TORQUE	4.78 Nm	EXCITING REACTANCE	NOT AVAILABLE
REFERENCE SPEED	2000 r/min	INSULATION GRADE	F
MAX SPEED	3000 r/min	LEVEL OF PROTECTION	IP : 54
MOMENT OF INERTIA	6.4/8.3 kg/cm <sup>2</sup>	SERIES	4 P
RATING		WEIGHT	5.8/7.5 Kg
COOLING FAN	RATED POWER RATED VOLTS		
ENCODER	IMPULSES PER MINUTE OUTPUT MODE		2500 TTL/HTL
BRAKE RIGGING	NAME THE DATA PARAMETER		ELECTROMAGNETIC